



**KINGTEC**

# CONSTRUCTION MACHINERY AIR-CONDITONER



Cool & Heat Air-Conditioning Unit

Built-In Type

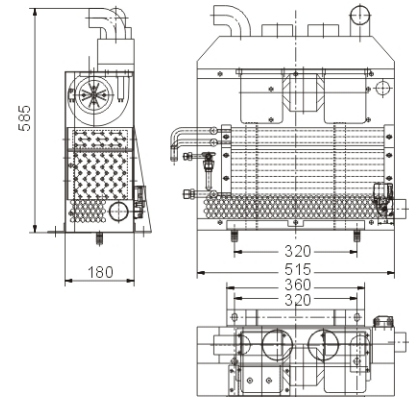
**KT001NR**

**Application: Excavators, Crawler  
Cranes, loaders Compactors / Rollers, Drilling Rigs, Etc.**

Installed inside, compact design, cooling & heating integrated, air duct ventilation, flexible arrangement, aesthetically pleasing design.



|                  |   |
|------------------|---|
| Cooling Capacity | 32000 Btu/h   |
| Heating Capacity | 36000 Btu/h   |
| Air Volume       | 800 m <sup>3</sup> /h   |
| Current          | DC12V/26A   |
|                  | DC24V/13A   |
| Weight           | 32Kg  |
| Remark           | Different applications use appropriate condenser & compressor |



Dimensions: mm